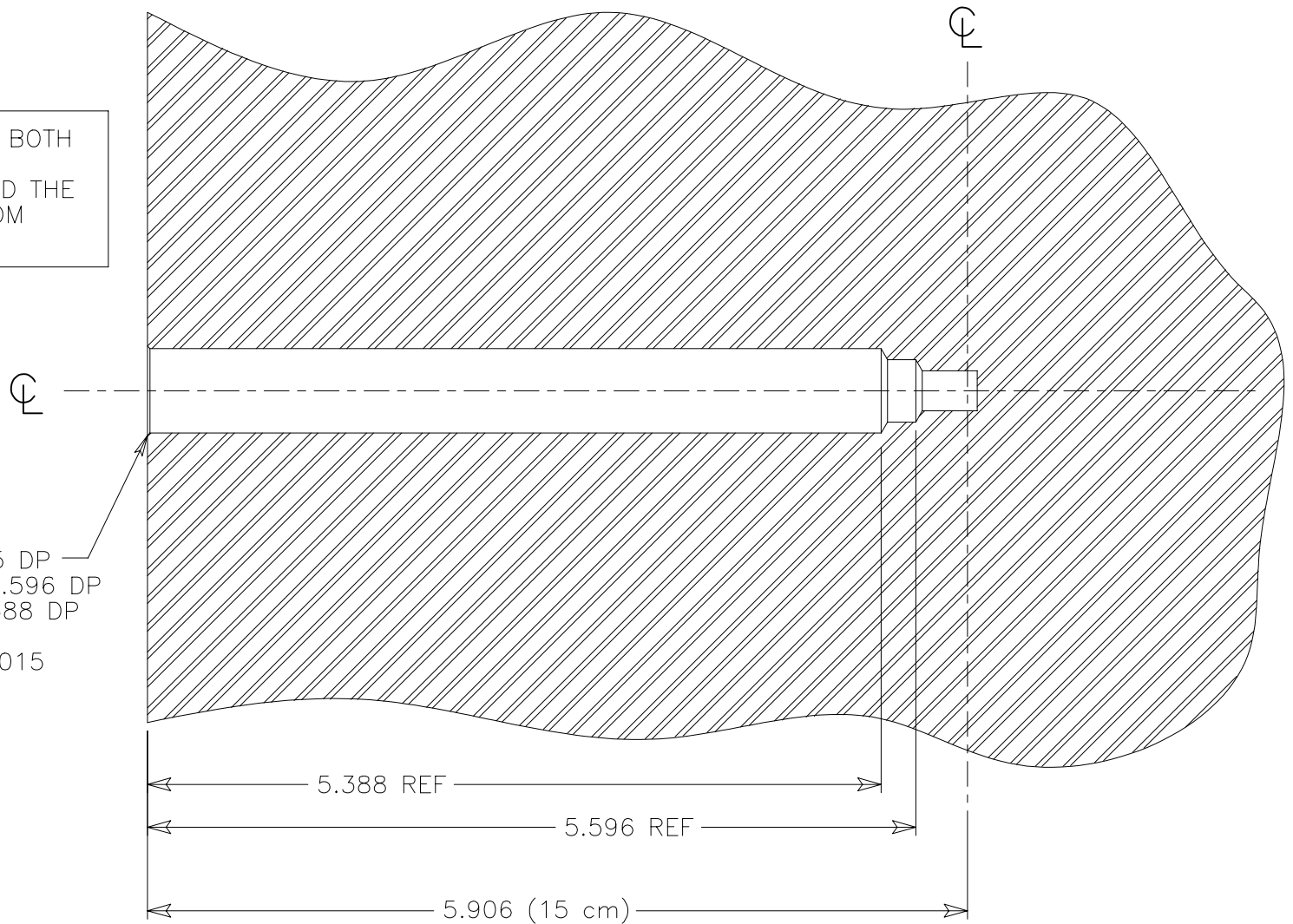


CENTERLINES REFER TO BOTH THE CENTROID OF THE COLLECTING VOLUME AND THE CENTER OF THE PHANTOM BLOCK



0.240 FB END MILL x 5.965 DP
 0.380 DRILL (118° TIP) x 5.596 DP
 1/2 DRILL (118° TIP) x 5.388 DP
 0.507 REAMER x 5.388 DP
 CHAMFER CORNER 45° x 0.015

ALL DIMENSIONS IN INCHES AND TOLERANCES OF ± 0.005 UNLESS OTHERWISE NOTED

MATERIAL:
 1. ACRYLIC, POLYSTYRENE, OR
 OTHER; 30 cm x 30 cm

REVISION NO.
 01

DRAWN BY:
 BDH

STANDARD
IMAGING
 Middleton, WI

PRODUCT
 NOTE

SUBJECT : MODEL 14P PHANTOM BLOCK MACHINING

DATE
 12/7/01

PAGE
 1 OF 1

NUMBER
 4464-01

SeeDOS Ltd
 cwalters@seedos.com
 www.seedos.com