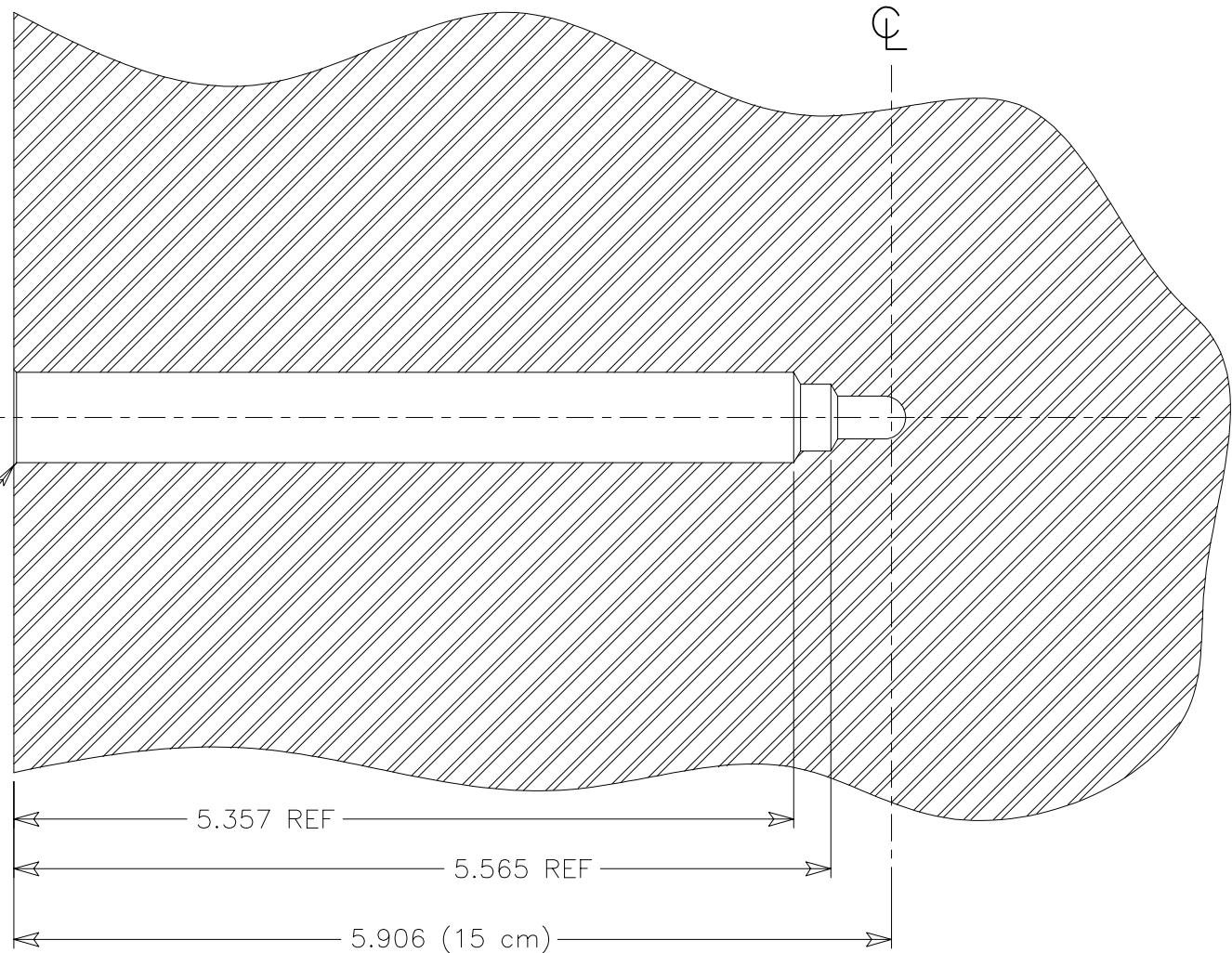


CENTERLINES REFER TO BOTH THE CENTROID OF THE COLLECTING VOLUME AND THE CENTER OF THE PHANTOM BLOCK

0.240 BALL MILL x 5.985 DP
 3/8 (118° TIP) x 5.565 DP
 1/2 DRILL (118° TIP) x 5.357 DP
 0.507 REAMER x 5.357 DP
 CHAMFER CORNER 45° x 0.015



ALL DIMENSIONS IN INCHES AND TOLERANCES OF ± 0.005 UNLESS OTHERWISE NOTED

MATERIAL:
 1. ACRYLIC, POLYSTYRENE, OR
 OTHER; 30 cm x 30 cm

REVISION NO.

01

DRAWN BY:

BDH

STANDARD
IMAGING
 Middleton, WI

PRODUCT
 NOTE

DATE

12/7/01

PAGE

1 OF 1

NUMBER

4463-01

SeeDOS Ltd
 cwalters@seedos.com
 www.seedos.com

SUBJECT : MODEL 14 PHANTOM BLOCK MACHINING